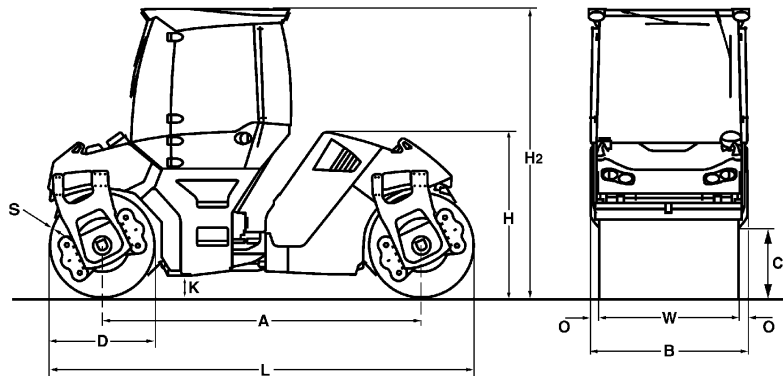


TECHNICAL DATA

TANDEM ROLLERS

BW 161 AD - 5, BW 190 AD - 5





Dimensions in in

	A	B	C	D	H	H2	K	L	O	S	W
BW 161 AD - 5	142.5	72.3	26.4	48.0	91.1	120.1	9.8	190.6	3.1	0.7	66.1
BW 190 AD - 5	142.5	84.5	26.4	48.0	91.1	120.1	9.8	190.6	3.1	0.7	78.3

Shipping dimensions in cub.yd

BW 161 AD - 5
BW 190 AD - 5

without ROPS

26.903
 31.443

with ROPS

35.467
 41.452

Machine type	Compaction output (cub.yd/h) at recommended soil layer thicknesses		
	Gravel, sand	Mixed soil	Silt, clay
BW 161 AD - 5	196.2-418.5	183.1-340.1	130.8-287.7
BW 190 AD - 5	340.1-654.0	235.4-470.9	183.1-287.7

Machine type	Compaction output (t/h) at different asphalt layer thicknesses		
	0.8-1.6 in	2.4-3.1 in	3.9-5.5 in
BW 161 AD - 5	50-100	100-200	150-230
BW 190 AD - 5	70-120	120-230	190-300

Technical Data

BOMAG BW 161 AD - 5

BOMAG BW 190 AD - 5

Weights

Operating weight CECE w. cab.	lb	22,046	26,566
Axle load, front CECE	lb	11,244	13,669
Axle load, rear CECE	lb	10,803	12,897
Static linear load, front CECE	lb/in	170.2	173.6
Static linear load, rear CECE	lb/in	163.5	164.1
Grossweight	lb	24,251	28,660

Dimensions

Track radius, inner	in	192.9	186.8
Length (without towing hitch)	in	190.6	190.6

Driving Characteristics

Max. travel speed	mph	0- 7.5	0- 9.3
Max. gradeability without/with vibr.	%	35/30	35/30

Drive

Engine manufacturer		Kubota	Kubota
Type		V3800 CR-TI	V3800 CR-TI
Emission stage		3b/4i	3b/4i
Cooling		water	water
Number of cylinders		4	4
Performance ISO 14396	hp	85.0	85.0
Speed	min-1	2,600	2,600
Electric equipment	V	12	12

Brakes

Service brake		hydrost.	hydrost.
Parking brake		multi disc	multi disc

Steering

Steering system		oscil.artic.	oscil.artic.
-----------------------	--	--------------	--------------

Exciter system

Vibrating drum		front + rear	front + rear
Autom. vibr. shut off		standard	standard
Frequency	vpm	2,400/3,300	2,400/3,300
Amplitude	in	0.034/0.017	0.035/0.013
Centrifugal force	lb	21,357/20,233	28,326/19,783
Centrifugal force	t	9.7/9.2	12.8/9.0

Capacities

Fuel	gal	38.3	38.3
Water	gal	198.1	198.1

Technical modifications reserved. Machines may be shown with options.

Standard Equipment

- 2 amplitudes / 2 frequencies
- ECOMODE
- Autom. vibration operation
- Individual vibration control
- Driver's seat, slewable
 - laterally slidable with steering wheel
- Emergency stop button
- On-board computer
 - engine speed
 - Speedometer
 - Fuel consumption
 - Engine temperature
- V-belt protection
- Pressure sprinkling system with 2 pumps
- Indicator and hazard lights
- Back-up alarm
- Battery disconnect switch
- Compartments for documents and tools

Optional Equipment

- ROPS cabin with seat belts
 - + heating, Ventilation
 - + 4 Working head lights
- ECONOMIZER
- BCM-Documentation system
- ROPS cabin with air conditioning
- Rotary beacon
- Crab-walk to both sides (6.7in)
- 2 LED-lights for cabin roof (flatbeam)
- Edge cutter
- Special painting
- Environmentally compliant hydraulic oil
- Radio/Radio preparation
- ROPS/FOPS with safety belt
- Precision spreader BS180 laterally slidable
- Precision spreader BS180
- Asphalt temperature display
- Lighting for drum edge front and rear
- Seat heating
- Frequency
 - 4,020vpm(BW161),4,200vpm(BW190)
- Approval by the German TÜV
- BOMAG TELEMATIC POWER
- Outside mirrors

